

Model  
**OR0024**



## **OR0024 Oxygen Regulator**

A small profile, lightweight, 100% oxygen, positive pressure, personnel mounted regulator that supplies oxygen breathing gas to the aircrew. This regulator is compatible with liquid oxygen (LOX) or gaseous oxygen systems. The regulator is connected directly to the oxygen mask hose and can interface with the MBU-5/P, MBU-12/P, MBU-14/P, MBU-20/P or equivalent oxygen mask. This regulator is currently used on virtually all U.S. Navy aircraft not incorporating OBOGS.

### **Features:**

- Provides aircrew breathing oxygen at a slight positive-pressure from sea level and above to prevent inward leakage.
- Automatically increases positive pressure above 34,000 ft. [10,366 m] to meet physiological requirements.

*Challenging Requirements, Innovative Solution...  
...Mission Accomplished!*

***CARLETON***  
***Life Support Systems***

[www.carletonls.com](http://www.carletonls.com)

© 2003 Carleton Life Support Systems Inc.

*A Cobham plc company*

# Model OR0024

Oxygen Regulator



## Performance Specifications

- Weight: 5 ozs. [0.14 Kg]
- Temperature:  
-65 to 160°F [-53.9 to 71.1°C]
- Inlet supply pressure:  
40 to 120 PSIG  
[275.8 to 827.4 kPa]
- Altitude Range:  
0 to 50,000 ft. [0 to 15240 m]
- Military Specification:  
MIL-R-81553

For more information contact:

**Carleton Life Support Systems Inc.**  
P.O. Box 4508  
Davenport, IA 52808-4508

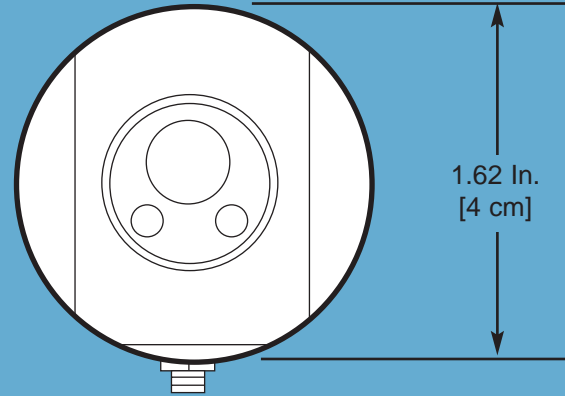
Website: [www.carletonls.com](http://www.carletonls.com)  
Email: [info@carletonls.com](mailto:info@carletonls.com)

Telephone 563-383-6000  
Toll Free 800-553-1860  
Fax 563-383-6323

ADV10485 REV B

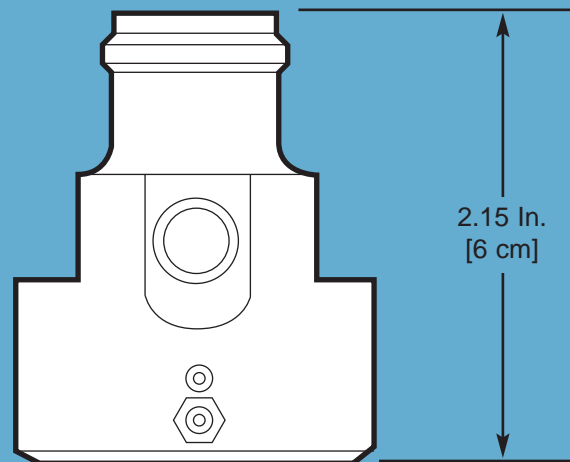
P/N: 3260024  
Military Designation: CRU-79/A  
NSN: 1660-01-008-8107

## Outline Drawing



**Top View**

**Front View**



**CARLETON**  
*Life Support Systems*

A Cobham plc company